

# INVENTORS' ASSOCIATION OF BOSNIA-HERZEGOVINA

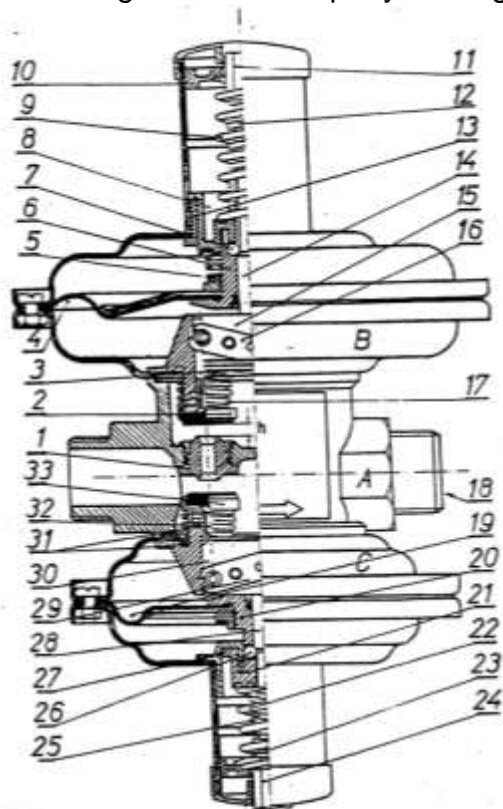
## Inventor of the first patented domestic invention

Name of Inventor: Josip NOSSE, Mr.Mech.Eng

Title of invention: SAFETY GAS PRESSURE REGULATOR

Priority date: June 19, 1993

Description: The story of this invention, as well as of its author the late Josip Nosse and of the Institut of Intellectual Property of B-H, originates from and relates to the destroying war in B-H 1992-95! This Institut was founded on October 1, 1992, as one of the first State institutions established in B-H, newly independent Country issuing from the former Yugoslavia. Lacking of a reliable gas supply, the people in Sarajevo used any kind of tubes to connect to the city gas net. How dangerous was that practice shows the booklet „Be careful with the gas!“, issued by Sarajevogas in 30.000 copies! „Constructor Josip Nosse made a device enabling security of high and low gas pressure in the home gas installations!“ – this sentence ([www.famacollection.org](http://www.famacollection.org)) presents a faithful homage to our exemplary colleague Jozo!



Slika 1.

SIGURNOSNI REGULATOR TLAKA

Podnositelj prijave

Dipl. ing. stroj. Nosse Josip

## Inventors of the 3 top patented domestic inventions in the XX century

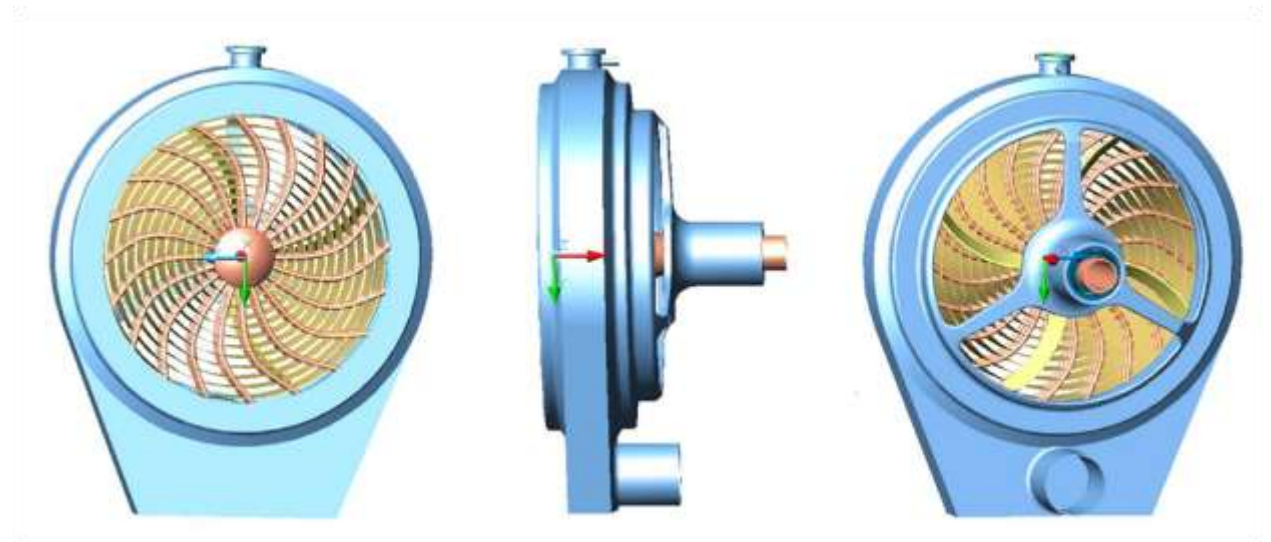
Name of Inventor: Ass.Prof.Dr.Sc.Fikret ALIĆ, Mech.Eng

Title of invention: ROTARY COOLER FOR INTERNAL COMBUSTION VEHICLES

Priority date: August 26, 1998



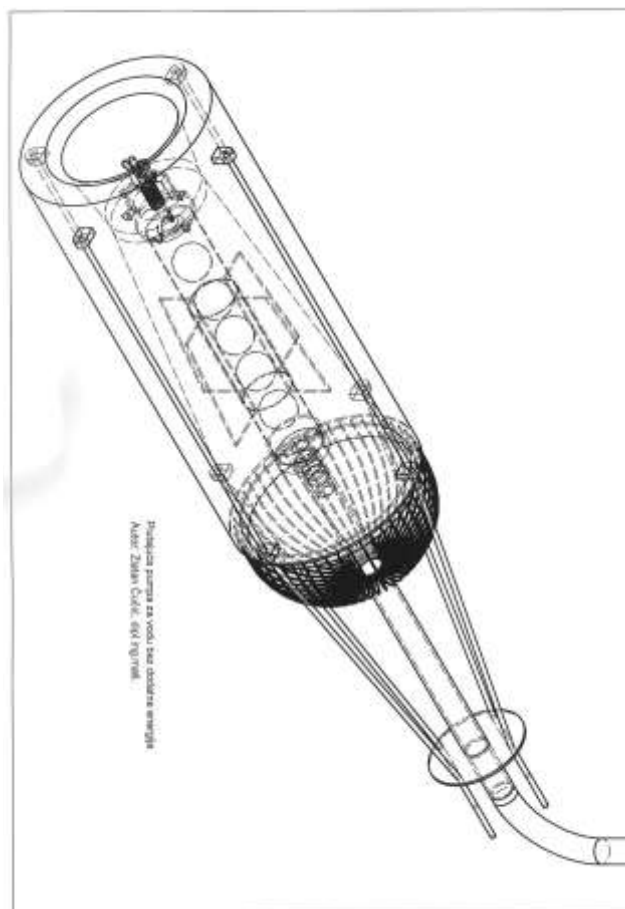
Description: Three basic constituting parts of an internal combustion vehicle water cooler are unified in this invention: pump, cooler and ventilator. With the cooler's ribbed tubes rotation, the best heat exchange with the environment is accomplished, compared to the known coolers. And more, by centrifugal filtering of the cooling fluid, working longevity of the engine is prolonged.



Name of Inventor: Zlatan ČUČIĆ, Mr.Mech.Eng  
Title of invention: FLOATING WATER PUMP  
Priority date: October 31, 2000



Description: This pump is designed in manner to lift water being propelled by the own kinetic energy of the given river or the sea. The height and amount of the lifted water can be regulated by adjusting pressure, with springs in the pump chambers. While in operation, it is to be attached to the shore and does not require monitoring.



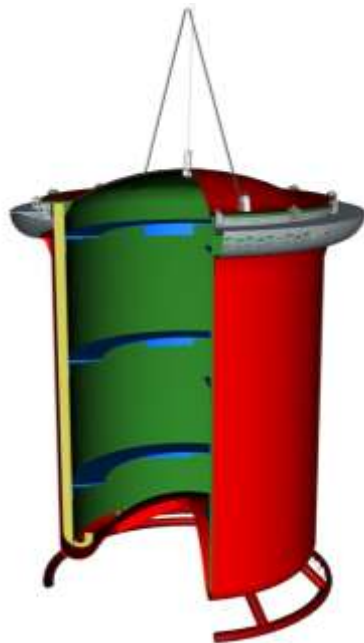
Name of Inventor: Zijo PEKIĆ, Mr.Mech.Eng

Title of invention: ARTIFICIAL RAIN FIRE FIGHTING DEVICE

Priority date: July 20, 1995



Description: The helicopter system for forest fire-fighting is equipment, which is adapted to be carried as a slung cargo beneath a helicopter. It is intended to deliver high rate of water spray or water-soluble extinguishant in the form of optimal sized droplets onto forest and other land fires. The system includes basically two particular products: (a) a suspendible apparatus and (b) an expendable solid propellant gas generator cartridge.



## Inventors of the 3 top patented domestic inventions in the XXI century

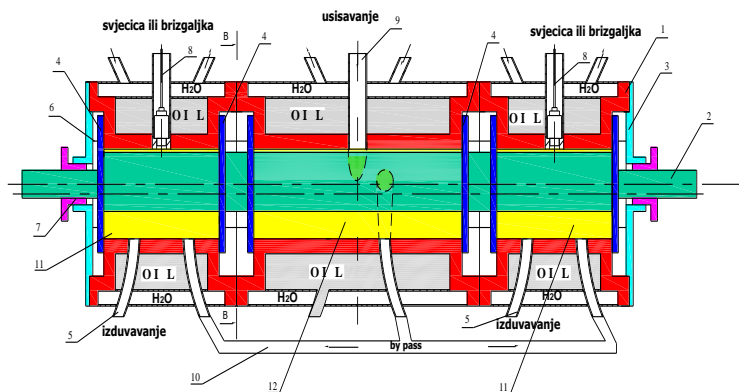
Name of Inventor: Prof. Milan DJUDUROVIĆ, Dr.Sc.Mech.Eng

Title of invention: CONTINUAL-COMPLEX INTERNAL COMBUSTION ENGINES (types mono, duplex & triplex)

Priority dates: June 28, 2005 (mono & duplex); December 21, 2006 (triplex)



Description: Differing from any known rotary engine, both piston and cylinder have cylindrical shape. Their axes are disposed in eccentric distance, thus the rotating piston enables the working phases by rectangular sliding blades pushed out by springs set in the three 120° disposed channels lengthwise the piston. A rudely made model shows the expected and encouraging results, surpassing more than 20% the working and commercial features in comparison with the existent rotary engines.

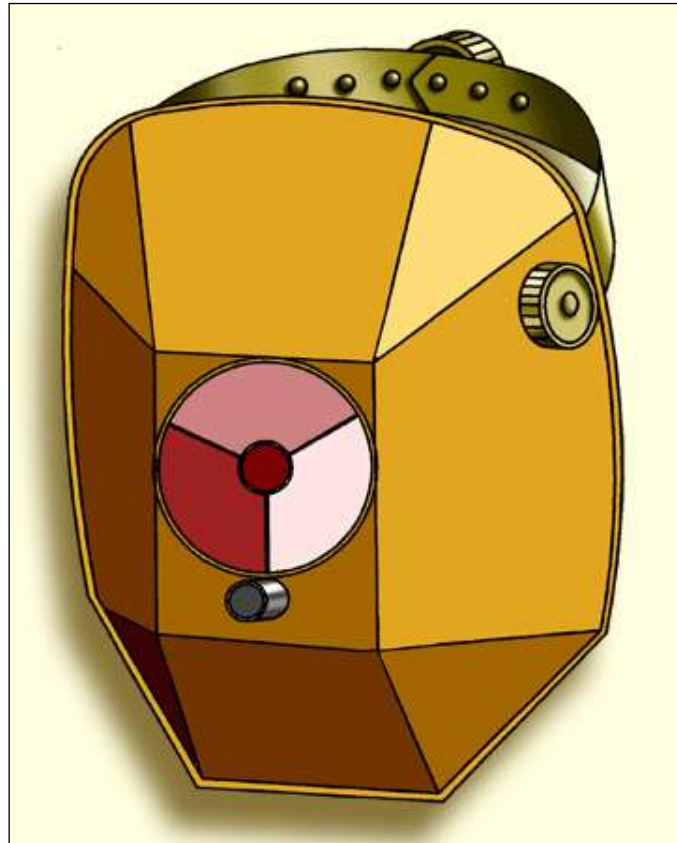


Name of Inventor: Branko MILIĆEVIĆ

Title of invention: LIGHT WELDING MASK WITH ROTATING COLORED GLASS

Priority date: May 30, 2007

Description: Three main advantages are featured by this mask: (a) The visor is round, consisting of three lenses ( $120^\circ$  each), of which the two are colored and angularly moving, in order to cover the vision lens (shading until/over 150 A); (b) The command to move shading lenses is made instantly, by the welder remote control; (c) The helmet is 3-4 times lighter than the existent ones, and very resistant.



Name of Inventor: Prim. Adnan DIZDAR, Dr.Sc.Med.

Title of invention: ORTHOPEDIC IMPLANT DEVICE AND SYSTEM

Priority date: May 21, 2008

Description: It relates to a plate with two or more openings, designed in manner to receive two screws each. Any screw can be implanted vertically, or in the wanted direction, in order to assemble and fix the parts of the broken bones. It is especially suitable for the hip.

